

**MAX-8**

V2107.02



# MAX-8

Excellent Performances & Reliability

CPCD20-35T8

CPQD30-35T8

T8 series 2.0-3.5t forklift

EP EQUIPMENT CO.,LTD  
[www.ep-ep.com](http://www.ep-ep.com)





# CPC(Q)D30/35T8

## T8 series 3.0-3.5t forklift specification

General		EP											
		CPD30T8-S4S	CPD30T8-C49	CPD30T8-A498	CPD30T8-C240	CPD30T8-TD27	CPD30T8-GK25	CPD35T8-S4S	CPD35T8-A498	CPD35T8-TD27	CPD35T8-SK25	CPD35T8-4J52	
1	Manufacture												
2	Model	Diesel	Diesel	Diesel	Diesel	Diesel	Diesel	Diesel	Diesel	Diesel	Diesel	Diesel	
3	Power type	3000	3000	3000	3000	3000	3000	3000	3000	3000	3000	3000	
4	Rated capacity	3000	3000	3000	3000	3000	3000	3000	3000	3000	3000	3000	
5	Load center	500	500	500	500	500	500	500	500	500	500	500	
6	Lift height	3000	3000	3000	3000	3000	3000	3000	3000	3000	3000	3000	
7	Free lift height	mm	mm	mm	mm	mm	mm	mm	mm	mm	mm	mm	
8	Fork size	1070×125×45	1070×125×45	1070×125×45	1070×125×45	1070×125×45	1070×125×45	1070×125×45	1070×125×45	1070×125×45	1070×125×45	1070×125×45	
9	Mast tilt range	6/12	6/12	6/12	6/12	6/12	6/12	6/12	6/12	6/12	6/12	6/12	
10	Fork overhang(wheel center to fork face)	F/R	F/R	F/R	F/R	F/R	F/R	F/R	F/R	F/R	F/R	F/R	
11	Rear overhang	mm	590	590	590	590	590	590	590	590	590	590	
12	Length to face of fork	mm	2762	2762	2762	2762	2762	2762	2762	2762	2762	2762	
13	Overall width	mm	1200	1200	1200	1200	1200	1200	1200	1200	1200	1200	
14	Mast lowered height	mm	2070	2070	2070	2070	2070	2070	2070	2070	2070	2070	
15	Mast extended height	mm	4210	4210	4210	4210	4210	4210	4210	4210	4210	4210	
16	Overhead guard height	mm	2180	2180	2180	2180	2180	2180	2180	2180	2180	2180	
17	Turning radius(outside)	mm	2450	2450	2450	2450	2450	2450	2450	2450	2450	2450	
18	Min.right angle stacking aisle width (Add load length and clearance)	mm	2950	2950	2950	2950	2950	2950	2950	2950	2950	2950	
19	Travel (No load)	Km/h	20	20	20	20	20	20	20	20	20	20	
20	Speed	mm/sec	400	400	400	400	400	400	400	400	400	400	
21	Lifting (Full load)	mm/sec	400	400	400	400	400	400	400	400	400	400	
22	Max.Drawbar Pull (Full load)	N	21000	21000	21000	21000	21000	21000	21000	21000	21000	21000	
23	Max.Gradeability (Full load)	%	20	20	20	20	20	20	20	20	20	20	
24	Tyres	mm	28-9-15-12PR	28-9-15-12PR	28-9-15-12PR	28-9-15-12PR	28-9-15-12PR	28-9-15-12PR	28-9-15-12PR	28-9-15-12PR	28-9-15-12PR	28-9-15-12PR	
25	Front	mm	6.50-10-10PR	6.50-10-10PR	6.50-10-10PR	6.50-10-10PR	6.50-10-10PR	6.50-10-10PR	6.50-10-10PR	6.50-10-10PR	6.50-10-10PR	6.50-10-10PR	
26	Rear	mm	1010	1010	1010	1010	1010	1010	1010	1010	1010	1010	
27	Font	mm	980	980	980	980	980	980	980	980	980	980	
28	Rear	mm	1700	1700	1700	1700	1700	1700	1700	1700	1700	1700	
29	Ground clearance	mm	140	140	140	140	140	140	140	140	140	140	
30	Wheelbase	mm	175	175	175	175	175	175	175	175	175	175	
31	Self weight	Kg	4450	4450	4450	4450	4450	4450	4450	4450	4450	4450	
32	Full load	mm	6488	6488	6488	6488	6488	6488	6488	6488	6488	6488	
33	Weight Distribution	mm	962	962	962	962	962	962	962	962	962	962	
34	Front	mm	1810	1810	1810	1810	1810	1810	1810	1810	1810	1810	
35	Rear	mm	2640	2640	2640	2640	2640	2640	2640	2640	2640	2640	
36	Battery	V/AH	12/80	12/80	12/80	12/60	12/60	12/60	12/60	12/60	12/60	12/60	
37	Model	S4S-DPEU2	C490BP-G-25	A498BT-39	ISUZU	ISUZU	ISUZU	ISUZU	ISUZU	ISUZU	ISUZU	ISUZU	
38	Manufacture	Mitsubishi	XIN CHAI	XIN CHAI	XIN CHAI	XIN CHAI	XIN CHAI	XIN CHAI	XIN CHAI	XIN CHAI	XIN CHAI	XIN CHAI	
39	Rated output/r.p.m	kw	35.3/2250	36.8/2650	36.8/2400	34.5/2500	38.5/2300	37.4/2300	35.3/2250	36.8/2400	38.5/2300	37.4/2300	
40	Rated torque/r.p.m	N.m	177/1700	156/1700-1900	186/1600-1800	139/1800	160/2300	176.5/1600	177/1700	186/1600-1800	160/2300	176.5/1600	
41	No.of cylinder		4	4	4	4	4	4	4	4	4	4	
42	Bore×Stroke	mm	94×120	90×105	86×102	86×102	89×100	96×92	94×120	95×105	96×92	89×100	
43	Displacement	cc	3331	2670	2369	2369	2980	2663	3331	2980	2663	2488	
44	Fuel tank capacity	L	70	60	70	70	60	60	70	75	60	75	
45	Manufacture		OEM	OEM	OEM	OEM	OEM	OEM	OEM	OEM	OEM	OEM	
46	Type		Powershift	Powershift	Powershift	Powershift	Powershift	Powershift	Powershift	Powershift	Powershift	Powershift	
47	Stage		1/1	1/1	1/1	1/1	1/1	1/1	1/1	1/1	1/1	1/1	
48	Operating pressure	Mpa	17.5	17.5	17.5	17.5	17.5	17.5	17.5	17.5	17.5	17.5	

1.Special lifting height available ( 2-stage mast : 2.5m,2.7m,3.0m,3.3m,3.5m,3.6m,3.7m,4m,4.3m,4.5m,5m. Full Free Duplex Mast 3.0m,3.3m,3.5m,3.6m. 3-stage mast : 4.3m,4.5m,4.8m,5m,5.5m,6m)  
 2.Attachment available. 3.The specification in the table are for standard models only,For further information please contact us. 4.Specification are subject to change without notice.

# CPCD20/25/30/35T8

T8 series 2.0-3.5t forklift specification (Meets Euro Stage V Legislation)

General		CPCD20T8		CPCD25T8		CPCD30T8		CPCD35T8	
1	Manufacture		Diesel		Diesel		Diesel		Diesel
2	Model		2000		3000		3500		3500
3	Power type		500		500		500		500
4	Rated capacity	Kg	3000		3000		3000		3000
5	Load center	mm	120		120		120		120
6	Lift height	mm	1070x120x40		1070x120x40		1070x125x45		1070x125x50
7	Free lift height	mm	612		612		612		612
8	Fork size	LxWxT	485		476		481		486
9	Max lift range	F/R	2610		2660		2762		2822
10	Fork overhang(wheel center to fork face)	deg	1150		1150		1200		1200
11	Rear overhang	mm	2050		2050		2070		2070
12	Length to face of fork	mm	4200		4200		4210		4210
13	Overall width	mm	2130		2130		2180		2180
14	Overall dimensions	mm	2170		2230		2450		2510
15	Mast lowered height	mm	2680		2740		2950		3010
16	Mast extended height	mm	20		20		20		20
17	Overhead guard height	mm/sec	450		450		400		400
18	Turning radius(outside)	mm/sec	450		450		400		400
19	Min.right angle stacking aisle width (Add load length and clearance )	N	14300		14800		21000		21500
20	Travel (No load)	%	20		20		20		20
21	Lifting (Full load)	mm	7.00-12-12PR		7.00-12-12PR		7.00-12-12PR		7.00-12-12PR
22	Lowering (Full load)	mm	6.00-9-10PR		6.00-9-10PR		6.50-10-10PR		6.50-10-10PR
23	Max. Drawbar Pull (Full load)	mm	970		970		1010		1010
24	Max. Gradeability (Full load)	mm	1600		1600		1700		1760
25	Tyres	mm	120		120		140		140
26	Tread	mm	145		145		175		175
27	Wheelbase	mm	3580		3920		4450		4700
28	Lowest clearance	mm	4856		5588		6488		7134
29	Wheelbase center	mm	724		832		962		1066
30	Self weight	Kg	1428		1560		1810		1927
31	Weight		2142		2360		2640		2773
32	Distribution	V/AH							
33	Battery	Model	3E22YG51		3E22YG51		3E22YG51		3E22YG51
34		Manufacture	XIN CHAI		XIN CHAI		XIN CHAI		XIN CHAI
35		Rated output/r.p.m	44.8/2400		44.8/2400		44.8/2400		44.8/2400
36	Engine	Rated torque/r.p.m	210/1600-1800		210/1600-1800		210/1600-1800		210/1600-1800
37		No. of cylinder	3		3		3		3
38		BorexStroke	94X107		94X107		94X107		94X107
39		Displacement	2226		2226		2226		2226
40		Fuel tank capacity	60		60		60		60
41		Manufacture	OEM		OEM		OEM		OEM
42	Transmissions	Type	Powershift		Powershift		Powershift		Powershift
43		Stage	1/1		2/2		1/1		1/1
44	Operating pressure	For attachments	17.5		17.5		17.5		17.5
45		Mpa							

1.Special lifting height available ( 2-stage mast :2.5m,2.7m,3.0m,3.3m,3.6m,3.7m,4m,4.3m,4.5m,5m. Full Free Duplex Mast:3.0m,3.3m,3.5m,3.6m, 3-stage mast : 4.3m,4.5m,4.8m,5m,5.5m,6m)

2.Attachment available. 3. The specification in the table are for standard models only,For further information please contact us. 4.Specification are subject to change without notice.

**2.0-2.5t T8 series mast: (pneumatic)**

Type	Model	Max.fork height	Overall height				Free lift		Front Overhang		Tilt range		Capacity			
			Lowered	Extended		Without backrest	With backrest	2.0t	2.5t	FWD	BWD	Load capacity at 500 mm				
				Without backrest	With backrest							Single tire		Double tire		
			mm	mm	mm	mm	mm	mm	mm	mm	Deg	Deg	2.0t	2.5t	2.0t	2.5t
Wide view mast	2W200	2000	1550	2740	3420	120	120	476	476	6	10	2000	2500	2000	2500	
	2W250	2500	1800	3040	3720	120	120	476	476	6	10	2000	2500	2000	2500	
	2W270	2700	1900	3240	3920	120	120	476	476	6	10	2000	2500	2000	2500	
	2W300	3000	2050	3540	4220	120	120	476	476	6	10	2000	2500	2000	2500	
	2W330	3300	2200	3690	4370	120	120	476	476	6	10	2000	2500	2000	2500	
	2W350	3500	2300	3890	4570	120	120	476	476	6	10	2000	2500	2000	2500	
	2W360	3600	2350	3990	4670	120	120	476	476	6	10	2000	2500	2000	2500	
	2W400	4000	2600	4040	4720	120	120	476	476	6	10	1900	2300	2000	2500	
	2W430	4300	2750	4340	5020	120	120	476	476	6	6	1800	2100	1950	2450	
	2W450	4500	2850	4290	4970	120	120	476	476	6	6	1700	2000	1900	2400	
wide view full 2-stage mast	2F250	2500	1785	2090	2770	1210	560	476	476	6	10	2000	2500	2000	2500	
	2F270	2700	1885	2290	2970	1310	660	476	476	6	10	2000	2500	2000	2500	
	2F300	3000	2035	2590	3270	1460	810	476	476	6	10	2000	2500	2000	2500	
	2F330	3300	2185	3840	4520	1610	960	476	476	6	10	2000	2500	2000	2500	
	2F360	3600	2335	4140	4820	1760	1110	476	476	6	10	2000	2500	2000	2500	
	2F400	4000	2585	4540	5220	2060	1410	476	476	6	10	1900	2300	2000	2500	
	2F430	4300	2035	4880	5560	1360	730	490	490	6	6	1700	2000	1900	2400	
wide view full 3-stage mast	3F450	4500	2115	5040	5720	1460	810	490	490	6	6	1600	1900	1800	2300	
	3F480	4800	2220	5345	6020	1565	915	490	490	6	6	1500	1700	1700	2100	
	3F500	5000	2305	5540	6220	1610	960	490	490	6	6	1400	1600	1600	2000	
	3F550	5500	2555	6120	6800	1770	1120	490	490	3	6	1050	1200	1500	1800	
	3F600	6000	2805	6540	7220	2020	1370	490	490	3	6	700	800	1400	1600	

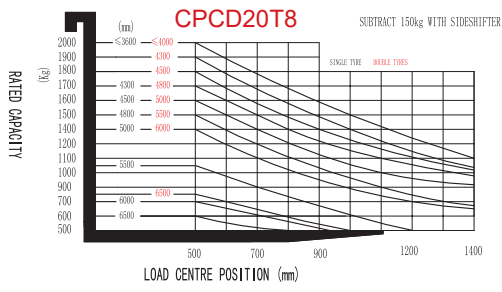
Note:1. With sideshifter minus 150Kg, with integral sideshifter minus 100Kg.

**3.0-3.5t T8 series mast: (pneumatic)**

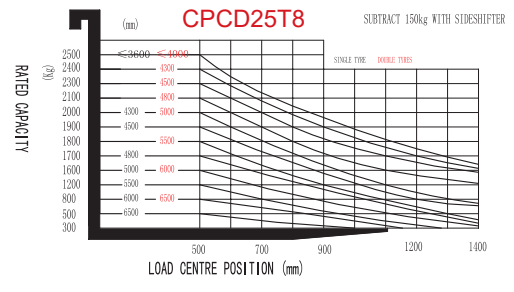
Type	Model	Max.fork height	Overall height				Free lift		Front Overhang		Tilt range		Capacity			
			Lowered	Extended		Without backrest	With backrest	3.0t	3.5t	FWD	BWD	Load capacity at 500 mm				
				Without backrest	With backrest							Single tire		Double tire		
			mm	mm	mm	mm	mm	mm	mm	mm	Deg	Deg	3.0t	3.0t	3.5t	3.5t
Wide view mast	2W200	2000	1570	2570	3250	120	120	481	486	6	12	3000	3000	3500	3500	
	2W250	2500	1820	3070	3750	120	120	481	486	6	12	3000	3000	3500	3500	
	2W270	2700	1920	3270	3950	120	120	481	486	6	12	3000	3000	3500	3500	
	2W300	3000	2070	3570	4250	120	120	481	486	6	12	3000	3000	3500	3500	
	2W330	3300	2220	3690	4370	120	120	481	486	6	12	3000	3000	3500	3500	
	2W350	3500	2320	3890	4570	120	120	481	486	6	12	3000	3000	3500	3500	
	2W360	3600	2370	3990	4670	120	120	481	486	6	12	3000	3000	3500	3500	
	2W400	4000	2620	4040	4720	120	120	481	486	6	12	2850	3000	3250	3500	
	2W430	4300	2770	4340	5020	120	120	481	486	6	6	2700	2900	3000	3400	
	2W450	4500	2870	4290	4970	120	120	481	486	6	6	2550	2850	2850	3350	
wide view full 2-stage mast	2F250	2500	1830	2220	2900	1210	560	481	486	6	12	3000	3000	3500	3500	
	2F270	2700	1930	2320	3000	1310	660	481	486	6	12	3000	3000	3500	3500	
	2F300	3000	2080	2620	3300	1460	810	481	486	6	12	3000	3000	3500	3500	
	2F330	3300	2230	3870	4550	1610	960	481	486	6	12	3000	3000	3500	3500	
	2F360	3600	2380	4020	4700	1760	1110	481	486	6	12	3000	3000	3500	3500	
	2F400	4000	2580	4420	5100	2060	1410	481	486	6	12	2850	3000	3250	3500	
	2F430	4300	2055	4910	5570	1360	730	495	500	6	6	2550	2850	2850	3350	
wide view full 3-stage mast	3F450	4500	2135	5070	5750	1460	810	495	500	6	6	2400	2700	2700	3200	
	3F480	4800	2240	5375	6050	1565	915	495	500	6	6	2250	2550	2450	2950	
	3F500	5000	2325	5570	6250	1610	960	495	500	6	6	1650	2250	2300	2800	
	3F550	5500	2575	6150	6830	1770	1120	495	500	3	6	1800	2250	1800	2550	
	3F600	6000	2825	6570	7250	2020	1370	495	500	3	6	1200	2100	1300	2300	

Note:1. With sideshifter minus 200Kg, with integral sideshifter minus 150Kg.

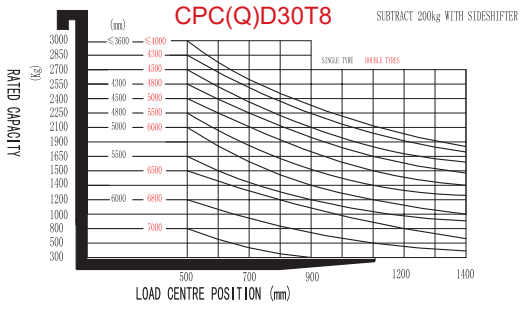
RATED CAPACITIES AND LOAD CENTERS GRAPH



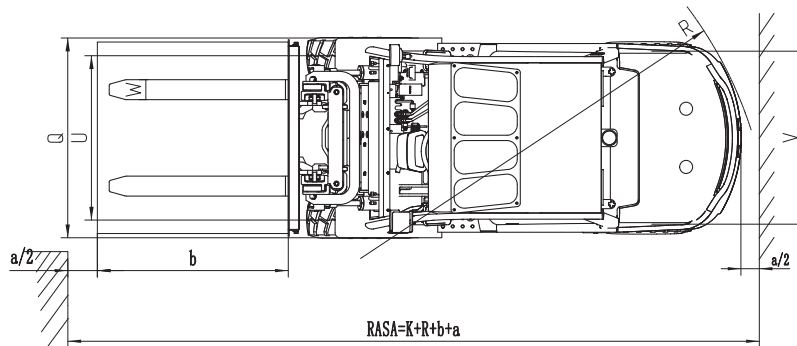
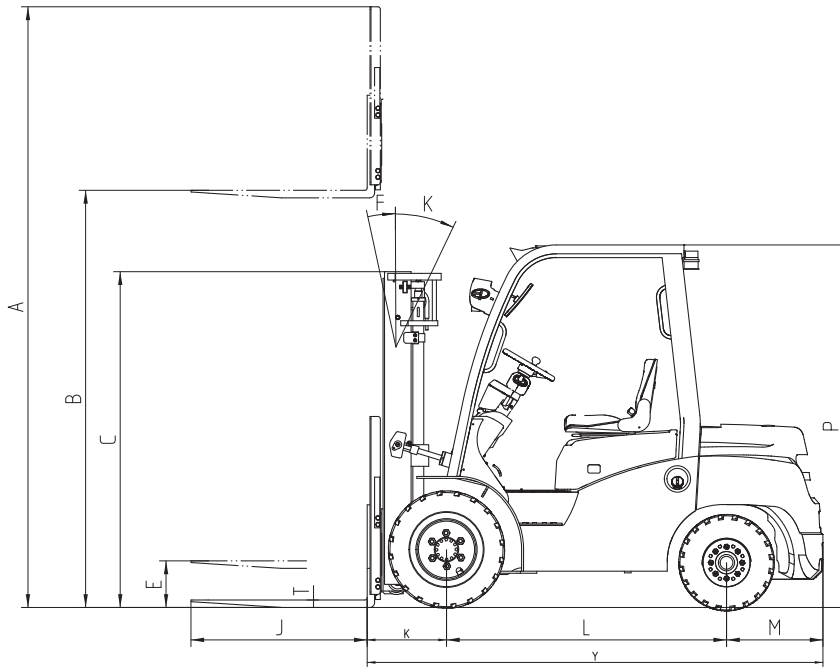
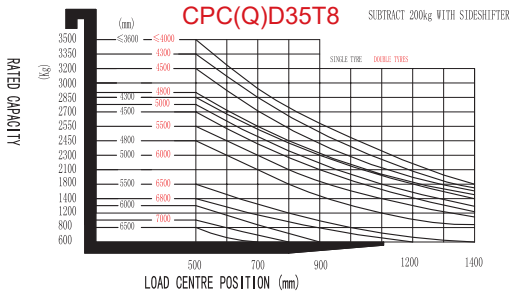
RATED CAPACITIES AND LOAD CENTERS GRAPH



RATED CAPACITIES AND LOAD CENTERS GRAPH



RATED CAPACITIES AND LOAD CENTERS GRAPH



# Option

Options	20/25T8	30T8	35T8
1 Fork length	○	○	○
2 Fork extension	○	○	○
3 Folded fork	○	○	○
4 Imported diesel engine	○	○	○
5 Import Gasoline Engine	○	○	○
6 LPG system	○	○	○
7 High exhaust	○	○	○
8 Dual air cleaners or special air cleaner	○	○	○
9 Solid rubber tire	○	○	○
10 No marking solid tire	○	○	○
11 Overhead guard	●	●	●
12 Mast options	○	○	○
13 Attachments	○	○	○
14 Integrated side shift	○	○	○
15 Cockpit	●	●	●
16 heater	○	○	○
17 Front windshield with wiper	○	○	○
18 Rear windshield with wiper	○	○	○
19 Fan	○	○	○
20 Full steel cabin room	○	○	○
21 LED front light	●	●	●
22 Rear working LED light	○	○	○
23 Fire extinguisher	○	○	○
24 Suspension seat	○	○	○
25 Seat switch	●	●	●
26 Warning light	●	●	●
27 Insulation mat	○	○	○
28 Double front tyre	○	○	○
29 OPS system	○	○	○

Note: ● standard ○ option — NA

